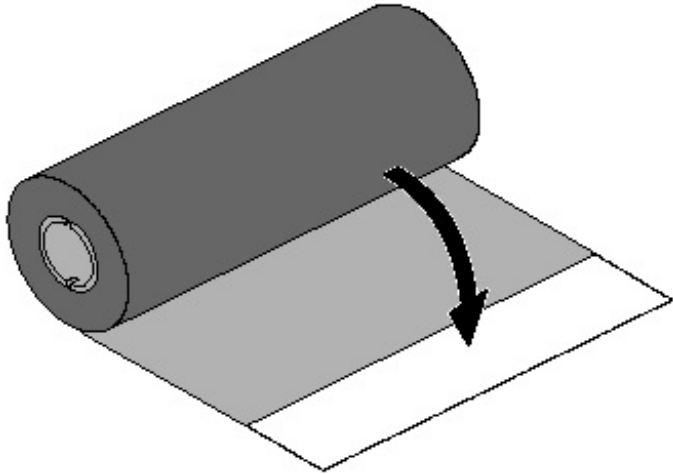


Using Transfer Ribbon

The TLP printer supports both direct thermal media (chemically treated to darken when heated) and thermal transfer media (accepts wax and/or resin transferred off a ribbon).

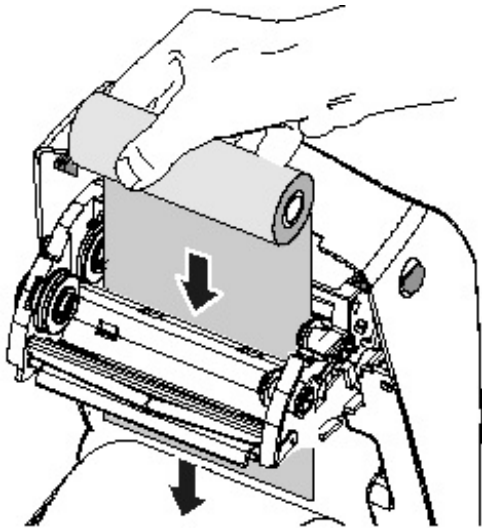
Step 1 Prepare Ribbon



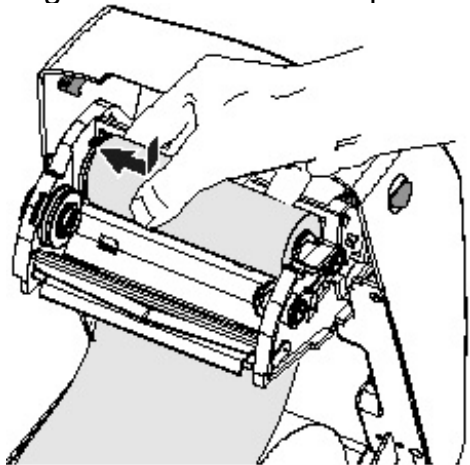
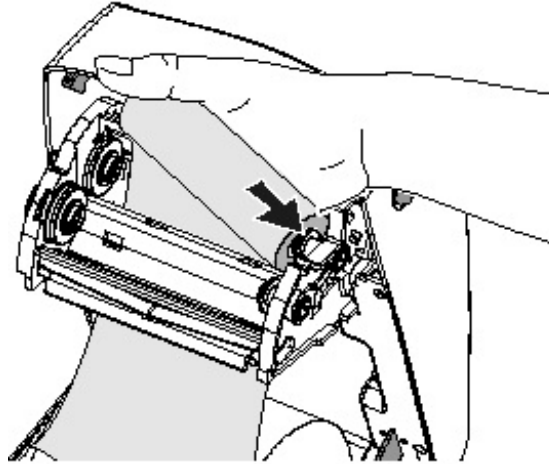
Step 2 Install Supply Roll

Thread Ribbon Through Carriage

Press onto Hub

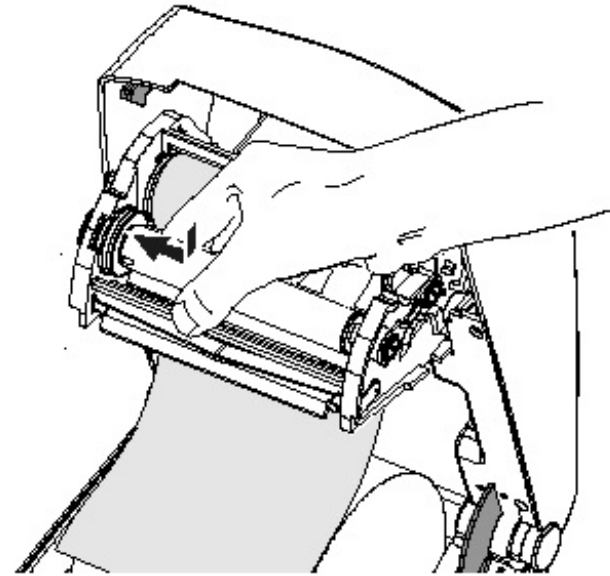
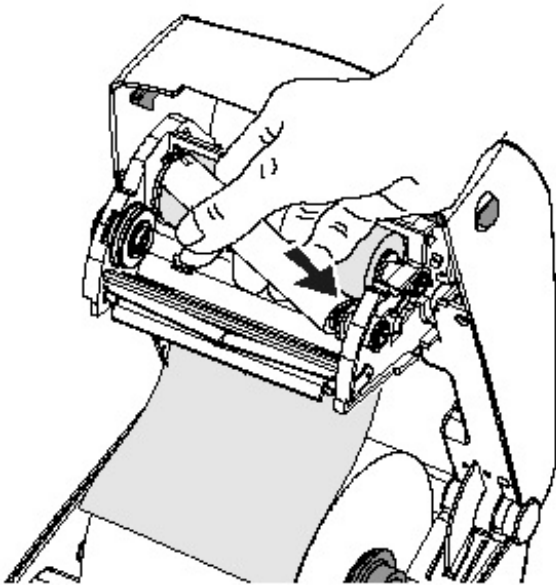


Align Notches onto Hub Spokes

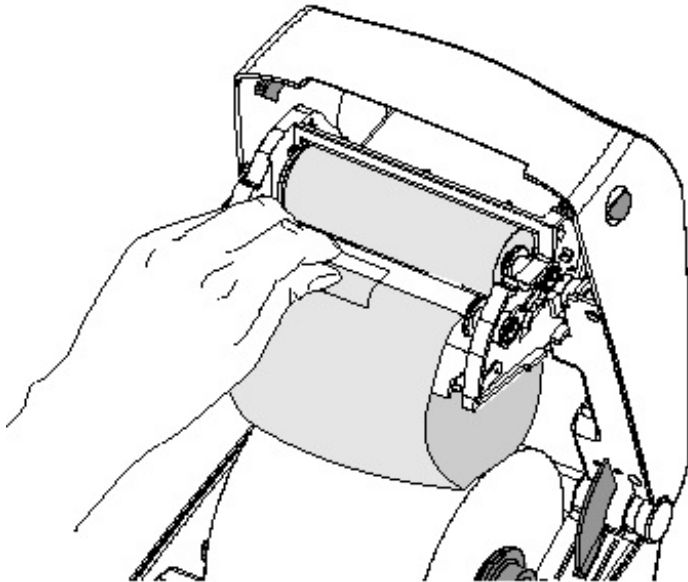


Step 3 Install Take-Up Core
Press onto Hub

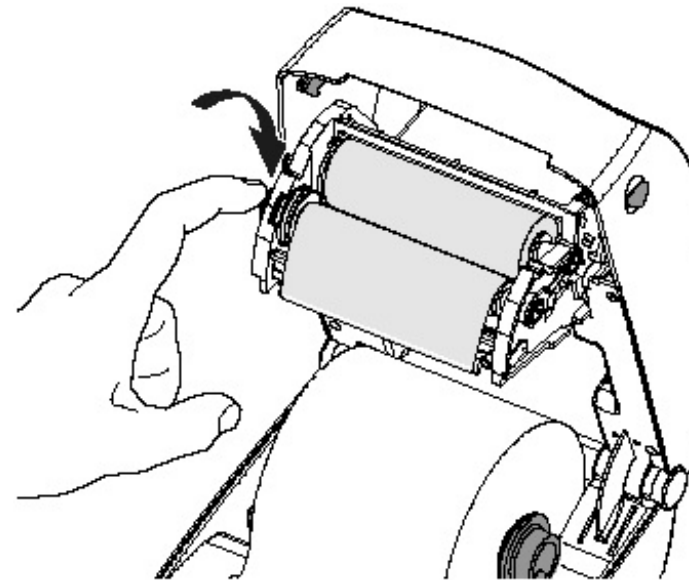
Align Notches onto Hub Spokes



Step 4 Tighten Ribbon
Attach Ribbon to Take-Up Core



Remove Slack From Ribbon



Notes:
Align ribbon so that it will be taken straight onto core.

Use the adhesive strip on new rolls; otherwise, use tape.

***When using ribbon, make sure you also use thermal transfer media.**